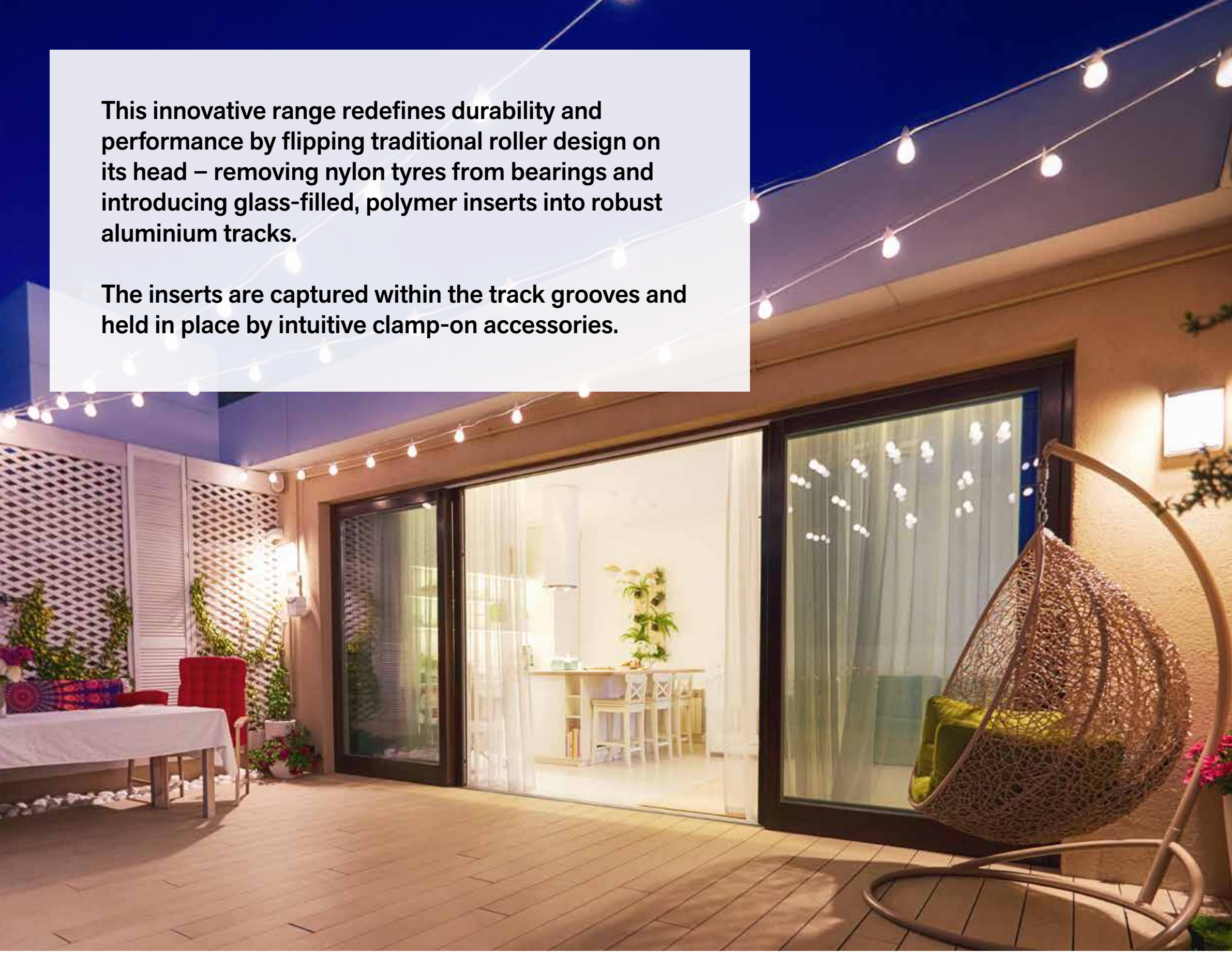


cowdroy

NXS SLIDING DOOR TRACK RANGE

NEXT GENERATION HYBRID TRACK | COMMERCIAL SLIDING SYSTEMS





This innovative range redefines durability and performance by flipping traditional roller design on its head – removing nylon tyres from bearings and introducing glass-filled, polymer inserts into robust aluminium tracks.

The inserts are captured within the track grooves and held in place by intuitive clamp-on accessories.

THE HYBRID TRACK DIFFERENCE

By removing traditional tyres and running the steel bearings directly on polymer track inserts, you eliminate tyre wear and greatly reduce the likelihood of roller failure.

Each point along the length of the polymer inserts engages only once per door cycle, reducing friction, meaning less wear and tear, fewer replacements and longer lasting components.

The removal of tyres from bearings also has the additional benefit of reduced track heights, offering a lower profile, clean, modern look without diminishing strength and durability.

WHY NX HYBRID IS DIFFERENT

- Bearings run directly on engineered polymer inserts
- Eliminates traditional roller tyre degradation
- Reduced friction per cycle
- Slimline architectural profile
- Commercial-grade aluminium extrusions
- Designed for long-term durability

INTRODUCING NXS RANGE

A revolution in Sliding Door Systems

THE NXS RANGE OVERVIEW

NXS SLIDING SYSTEMS

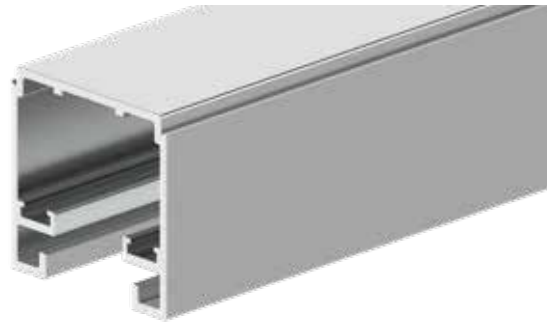
Four Profiles. One Engineered DNA.

The NXS range offers four weight capacities within the same hybrid track architecture.

TOP MOUNT TRACK

SUITABLE FOR 80KG, 120KG, 200KG & 350KG

Each profile maintains the NX Hybrid insert system, ensuring consistent performance across the entire range.



NXT086CA

80KG

Aluminium 6.0m Clear Anodised



NXT126CA

120KG

Aluminium 6.0m Clear Anodised



NXT206CA

200KG

Aluminium 6.0m Clear Anodised



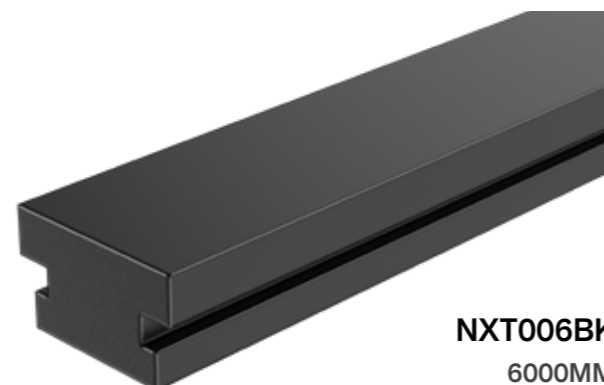
NXT356CA

350KG

Aluminium 6.0m Clear Anodised

POLY TRACK INSERT

A durable hybrid track insert manufactured from glass filled polymer for smooth bearing operation and extended service life. Supplied in 6.0m black lengths, it suits all track sizes and reduces wear by allowing bearings to run directly on the polymer surface with minimal contact each cycle.



NXT006BK

6000MM

TECH SPECS

External door	Internal door	Glass door	Wardrobe doors	Cupboard doors	Glass Cabinet doors	Wall mounted track	Top mounted track	Floor fixed track	Top hung wheel	Bottom rolling wheel	Door side fix	End pivoting	Centre pivoting	Bottom guide	Top guide	End stop	Soft-close	Low Clearance	Pelmet	System
●						○	●		●					●	●	○	○			NXS80
●						○	●		●					●	●	○	○			NXS120
●	●					○	●		●					●	●			○		NXS200
●	●					○	●		●					●	●			○		NXS350

System Type	Max. Weight Door/Panel	Max. Door/Panel Width (mm)	Door Thickness (mm) min.	Track Length (mm)	Suits No. of doors	Track Type	Track Finish
Sliding	80kg	Up to 2000	35	6000	1	Hybrid - Enclosed	Anodised
Sliding	120kg	Up to 2500	35	6000	1	Hybrid - Enclosed	Anodised
Sliding	200kg	Up to 3000	35	6000	1	Hybrid - Enclosed	Anodised
Sliding	350kg	Up to 3000	35	6000	1	Hybrid - Enclosed	Anodised

WHEEL ASSEMBLIES

NX HYBRID CARRIAGE SYSTEMS

Precision-engineered carriage assemblies designed to run directly on the NX glass-filled polymer insert surface. Each carriage is matched to its corresponding NXS weight capacity.



NXS080ZP

80KG

- 80kg Carriage Assembly
- Designed for NXS-80 system
- Smooth bearing performance
- Zinc plated construction
- Optimised for hybrid insert interface



NXS120ZP

120KG

- 120kg Carriage Assembly
- Designed for NXS-120 system
- Medium bearing configuration
- Zinc plated finish
- Commercial-grade durability



NXS350SS

350KG

- 350kg Carriage Assembly
- Designed for NXS-350 system
- Stainless steel construction
- High-load commercial performance
- Engineered for large architectural panels

DOOR COMPONENTS

HANGER BRACKETS

80KG, 120KG & 350KG

Robust hanger bracket assemblies built to support sliding door systems from 80kg to 350kg, available in mild steel or 304 grade stainless steel with matching hanger bolt configurations.



NXS081ZP
80KG
Sliding Bracket



NXS201SS
120KG
Heavy Duty Top Bracket (M8)



NXS351SS
350KG
Heavy Duty Top Bracket (M10)

DOOR STOPS & GUIDES

END STOP ASSEMBLY, ROLLER GUIDE & GUIDE CHANNEL

A complete range of door stops and guide components designed for smooth door control and reliable operation, including adjustable clip stops, roller guides, and anodised aluminium guide channels for versatile installation applications.



NXS020SS
END STOP ASSEMBLY
304 Stainless Steel



AWS215SS
BOTTOM FIX ROLLER GUIDE
304 Stainless Steel with Nylon Tyre



TT84862
GUIDE CHANNEL
Aluminium 6.0m Clear Anodised

OPTIONAL ACCESSORIES

LOW CLEARANCE KIT

SUITABLE FOR ALL NXS SLIDING SYSTEMS

The Low Clearance system enables reduced headroom installations without compromising load performance.



NXLC010SS FEATURES

- Flush mounting compatibility
- Slimmer overall build-up
- Maintains hybrid track performance
- Suitable across all NXS systems
- Ideal for architectural applications requiring minimal visual intrusion.

SOFT CLOSE

ASSEMBLIES

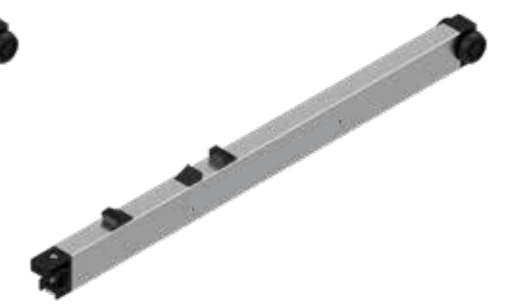
The NXS Soft Close system provides controlled closing and improved user experience from 60 to 120kg weight capacities.



NXC080BK
60-80KG OPTION
Suits 80kg track



NXC100BK
80-100KG OPTION
Suits 120kg track



NXC120BK
100-120KG OPTION
Suits 120kg track

PICK UPS



NXP080ZP
80KG
Suits 80kg track





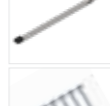
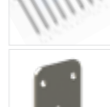
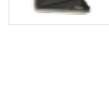
NXP120ZP
120KG
Suits 120kg track

Designed for lighter commercial and internal applications where performance and longevity are still critical.

COMPONENTS

-  **NXT086CA:**
Aluminium Track 6.0m CA
-  **NXT006BK:**
Poly Track Insert 6.0m Black
-  **NXS080ZP:**
Nylon Carriage Assembly
-  **NXS081ZP:**
ZP Hanger Bracket w/M8 bolt
-  **NXS020SS:**
SS Clip-Stop End Stop
-  **AW215SS:**
SS Roller Guide
-  **TT84862:**
Alum. Guide Channel 6.0m CA

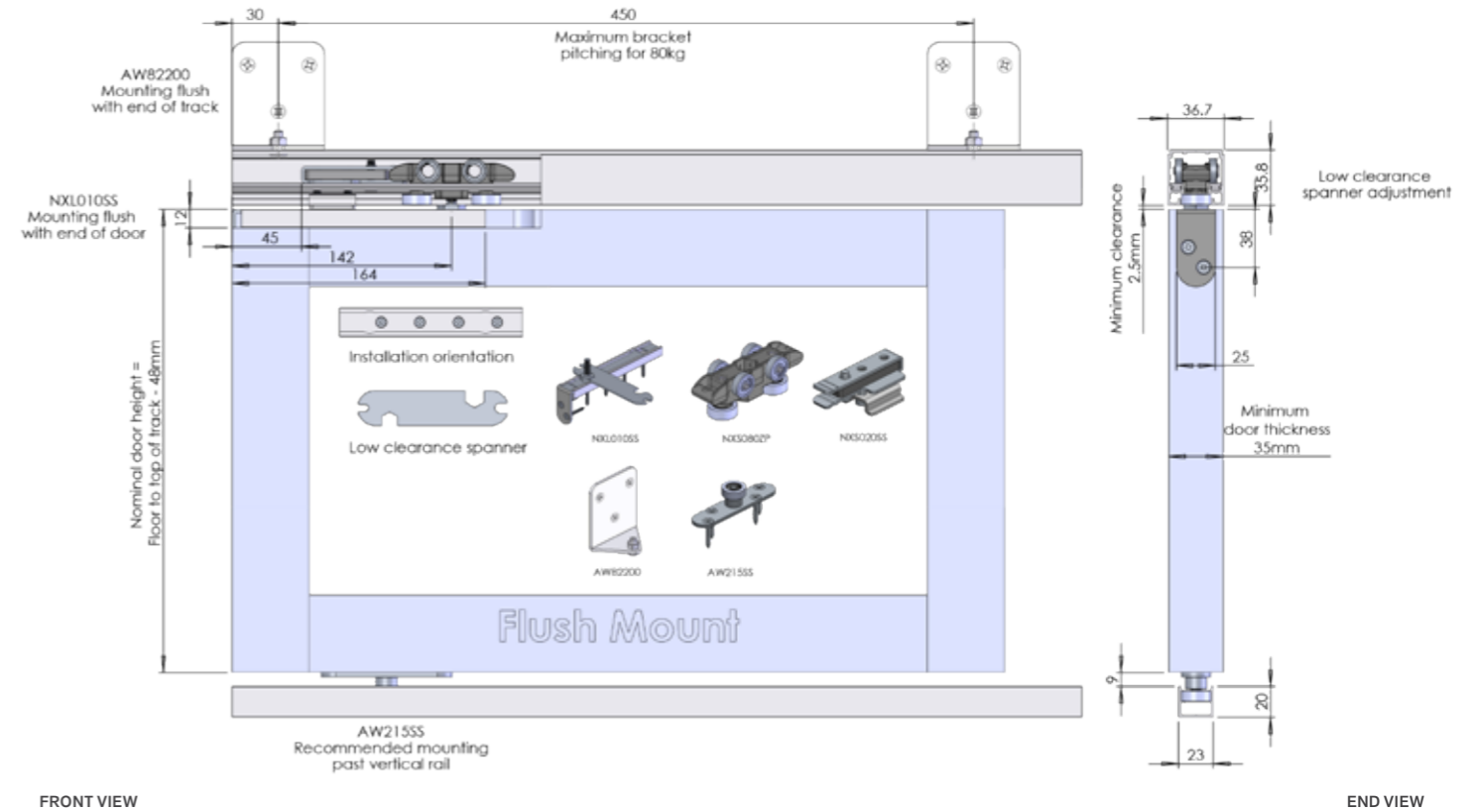
OPTIONAL EXTRAS

-  **NXLC010SS:**
SS Low Clearance Kit
-  **NXC080BK:**
Soft Close Assembly 60-80kg
-  **NXP080ZP:**
Soft Close Pickup w/bump stop
-  **NX00ABSS:**
8G x 32mm Screw Pack (8)
-  **AW82200:**
Wall fixing bracket w/nut & screw

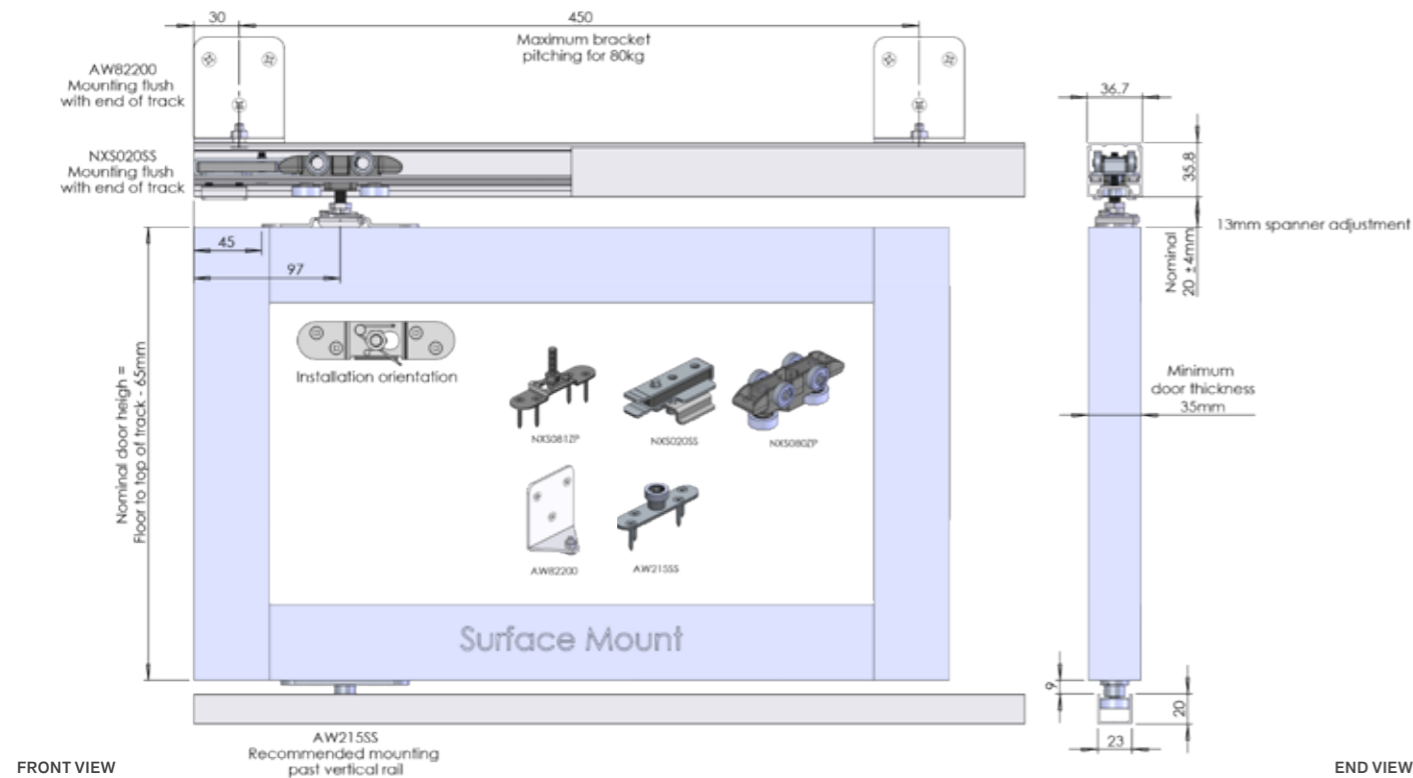
TECH SPECS

System Type	Sliding
Max. Weight Door/Panel	80kg
Door/Panel width (mm)	Up to 2000mm
Door Thickness (mm) min.	35
Track Length (mm)	6000
Suits No. of doors	1
Track Type	Hybrid - Enclosed
Track Finish	Anodised

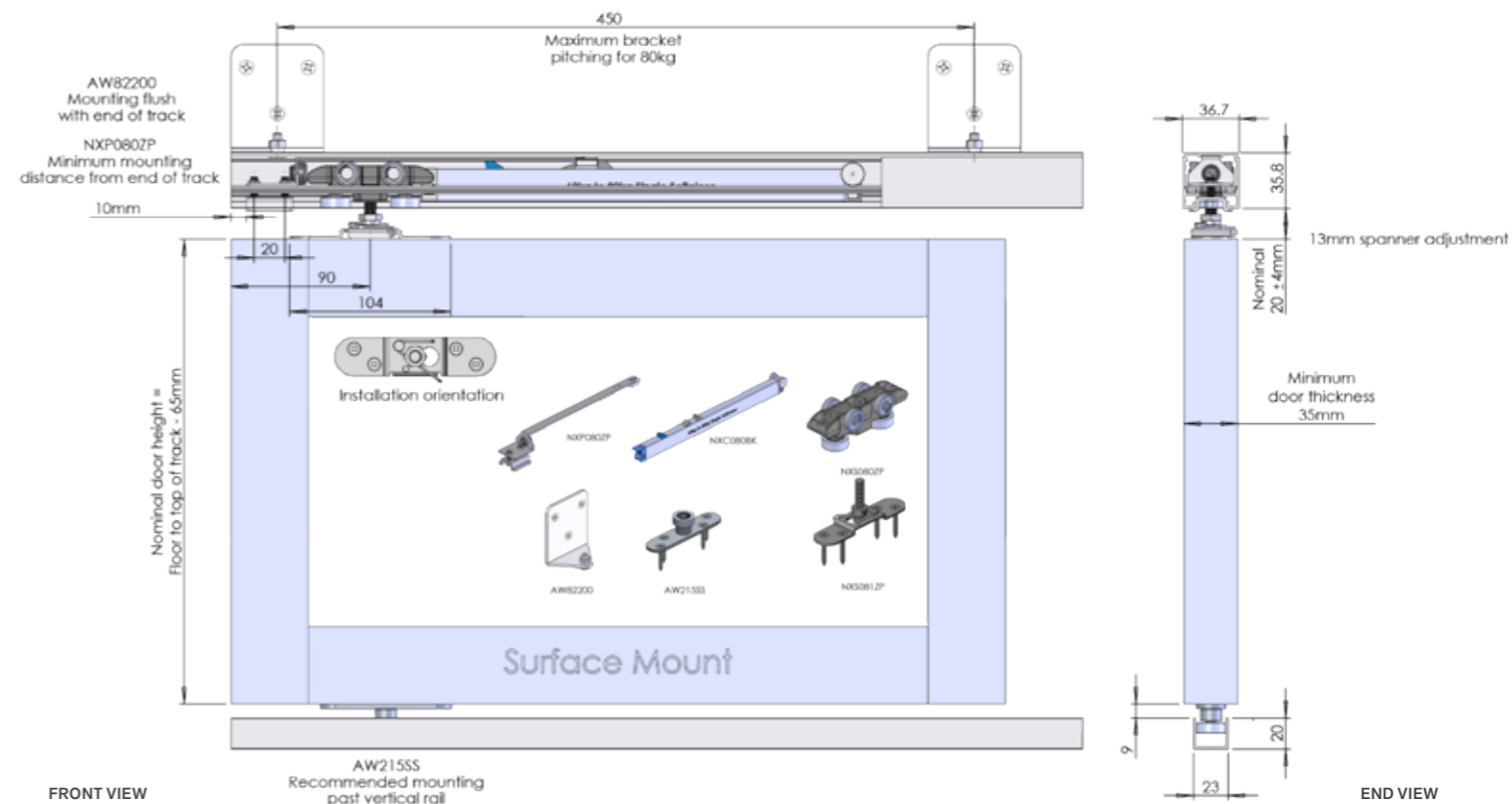
OPTIONAL - LOW CLEARANCE CONFIGURATION



STANDARD CONFIGURATION



OPTIONAL - SOFT CLOSE CONFIGURATION



Engineered for medium commercial doors requiring increased capacity without compromising on profile.

COMPONENTS

-  **NXT126CA:**
Aluminium Track 6.0m CA
-  **NXT006BK:**
Poly Track Insert 6.0m Black
-  **NXS120ZP:**
Nylon Carriage Assembly
-  **NXS201SS:**
SS Hanger Bracket w/M8 bolt
-  **NXS020SS:**
SS Clip-Stop End Stop
-  **AW215SS:**
SS Roller Guide
-  **TT84862:**
Alum. Guide Channel 6.0m CA

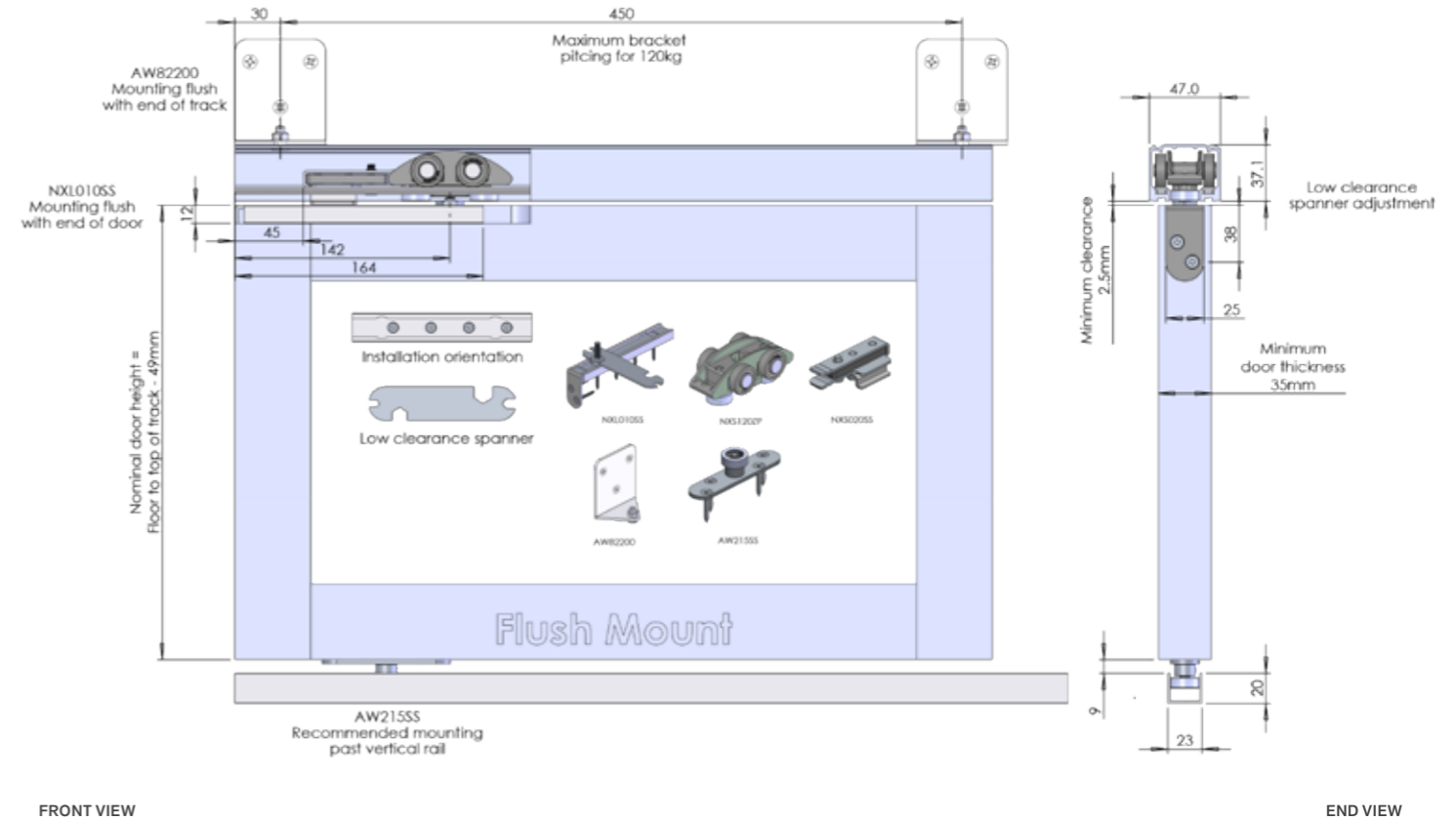
OPTIONAL EXTRAS

-  **NXLC010SS:**
SS Low Clearance Kit
-  **NXC100BK:**
Soft Close Assembly 80-100kg
-  **NXC120BK:**
Soft Close Assembly 100-120kg
-  **NXP120ZP:**
Soft Close Pickup w/bump stop
-  **NX00ABSS:**
8G x 32mm Screw Pack (8)
-  **AW82200:**
Wall fixing bracket w/nut & screw

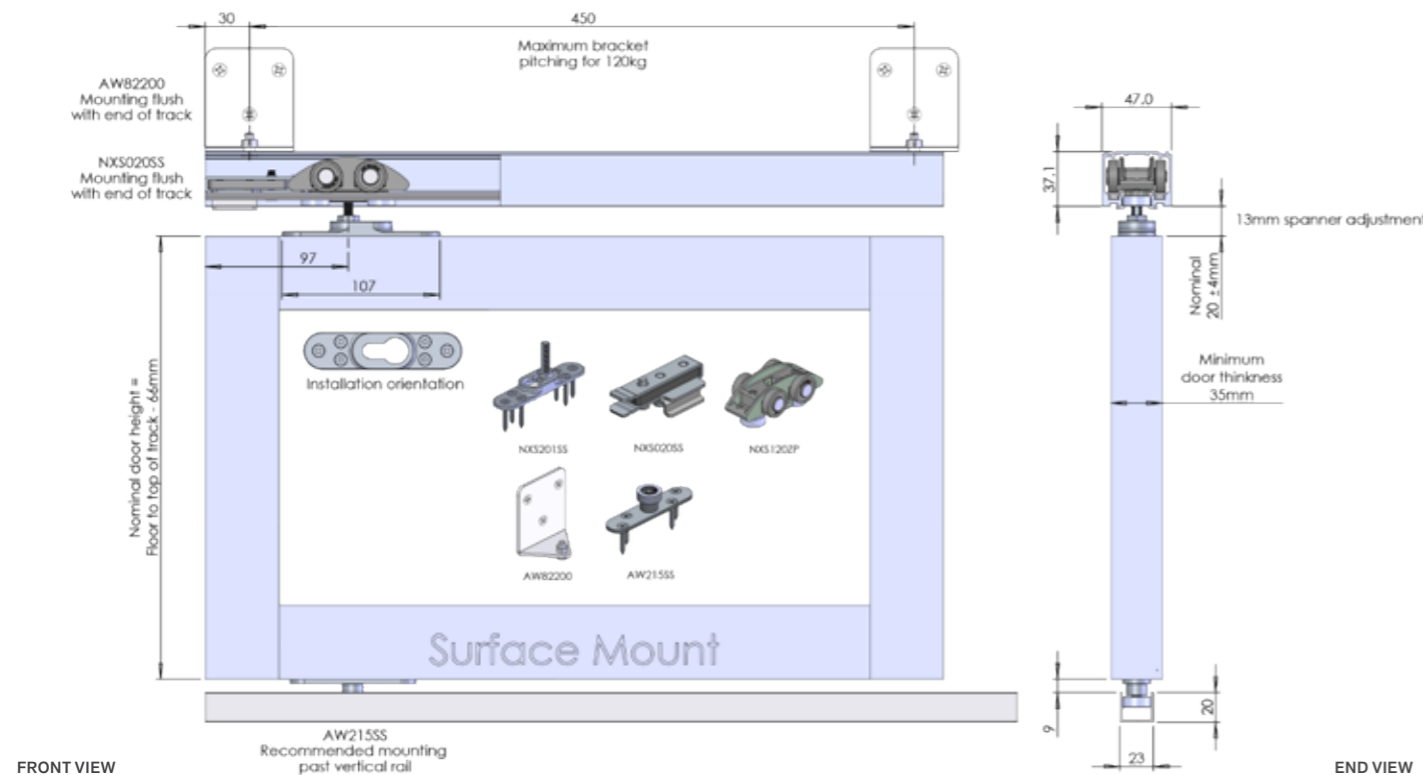
TECH SPECS

System Type	Sliding
Max. Weight Door/Panel	120kg
Door/Panel width (mm)	Up to 2500mm
Door Thickness (mm) min.	35
Track Length (mm)	6000
Suits No. of doors	1
Track Type	Hybrid - Enclosed
Track Finish	Anodised

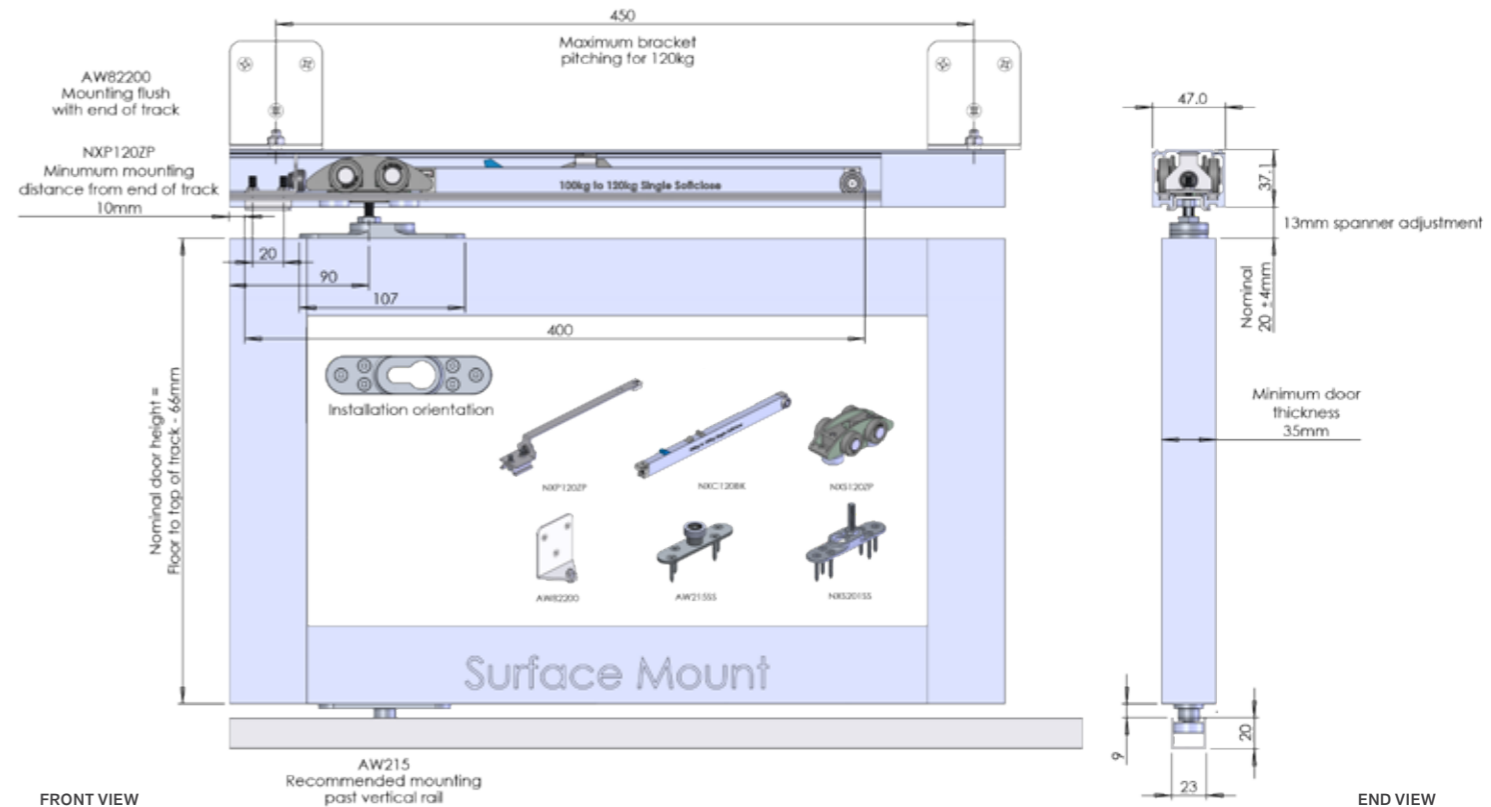
OPTIONAL - LOW CLEARANCE CONFIGURATION



STANDARD CONFIGURATION



OPTIONAL - SOFT CLOSE CONFIGURATION



200kg
PER DOOR

NXS-200 SYSTEM

NXS-200 SYSTEM


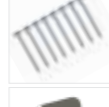



Designed for demanding commercial installations requiring increased load capacity and structural strength.

COMPONENTS

-  **NXT206CA:**
Aluminium Track 6.0m CA
-  **NXT006BK:**
Poly Track Insert 6.0m Black
-  **NXS350SS:**
SS Carriage Assembly
-  **NXS351SS:**
SS Hanger Bracket w/M10 bolt
-  **NXS020SS:**
SS Clip-Stop End Stop
-  **AW215SS:**
SS Roller Guide
-  **TT84862:**
Alum. Guide Channel 6.0m CA

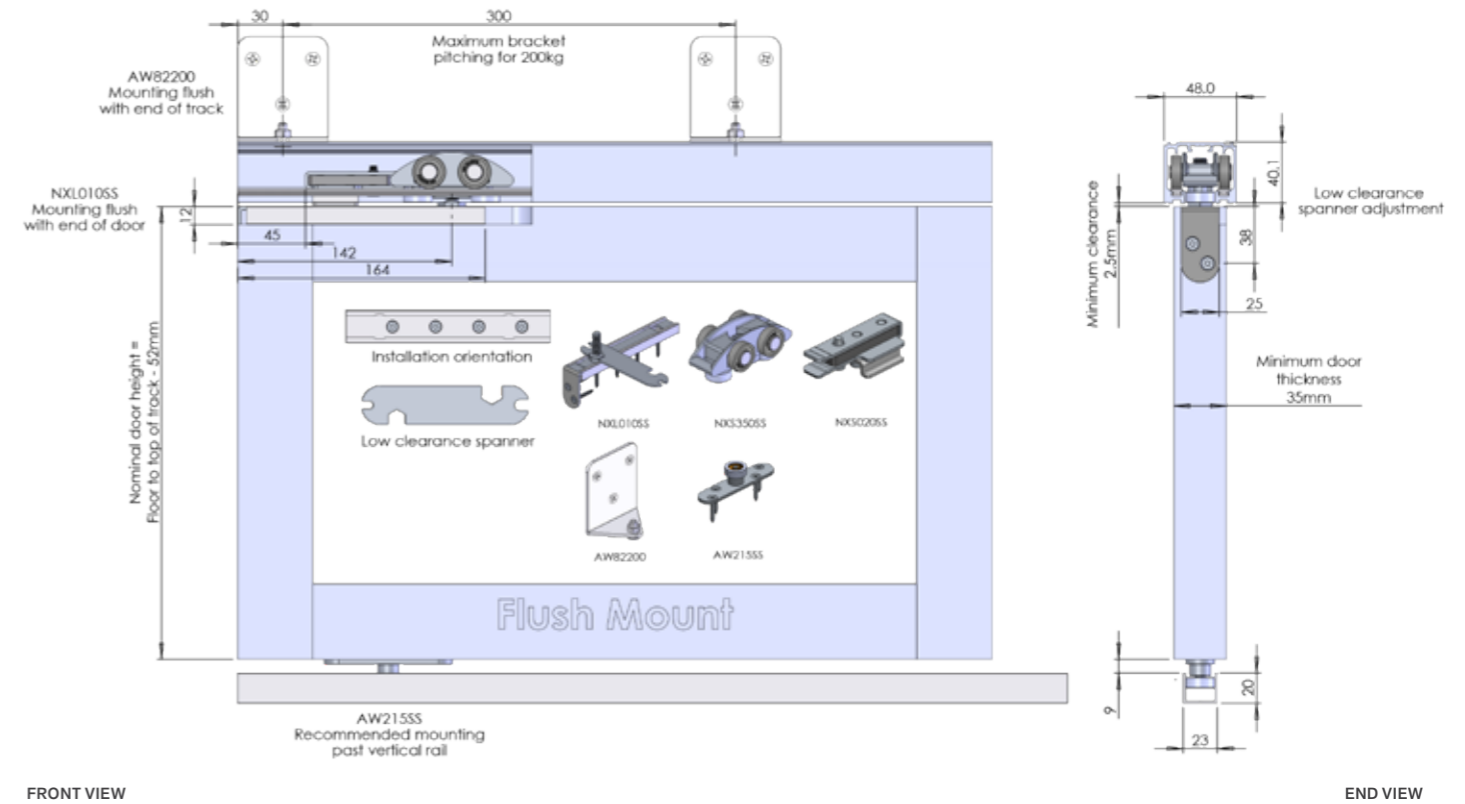
OPTIONAL EXTRAS

-  **NXLC010SS:**
SS Low Clearance Kit
-  **NX00ABSS:**
8G x 32mm Screw Pack (8)
-  **AW82200:**
Wall fixing bracket w/nut & screw

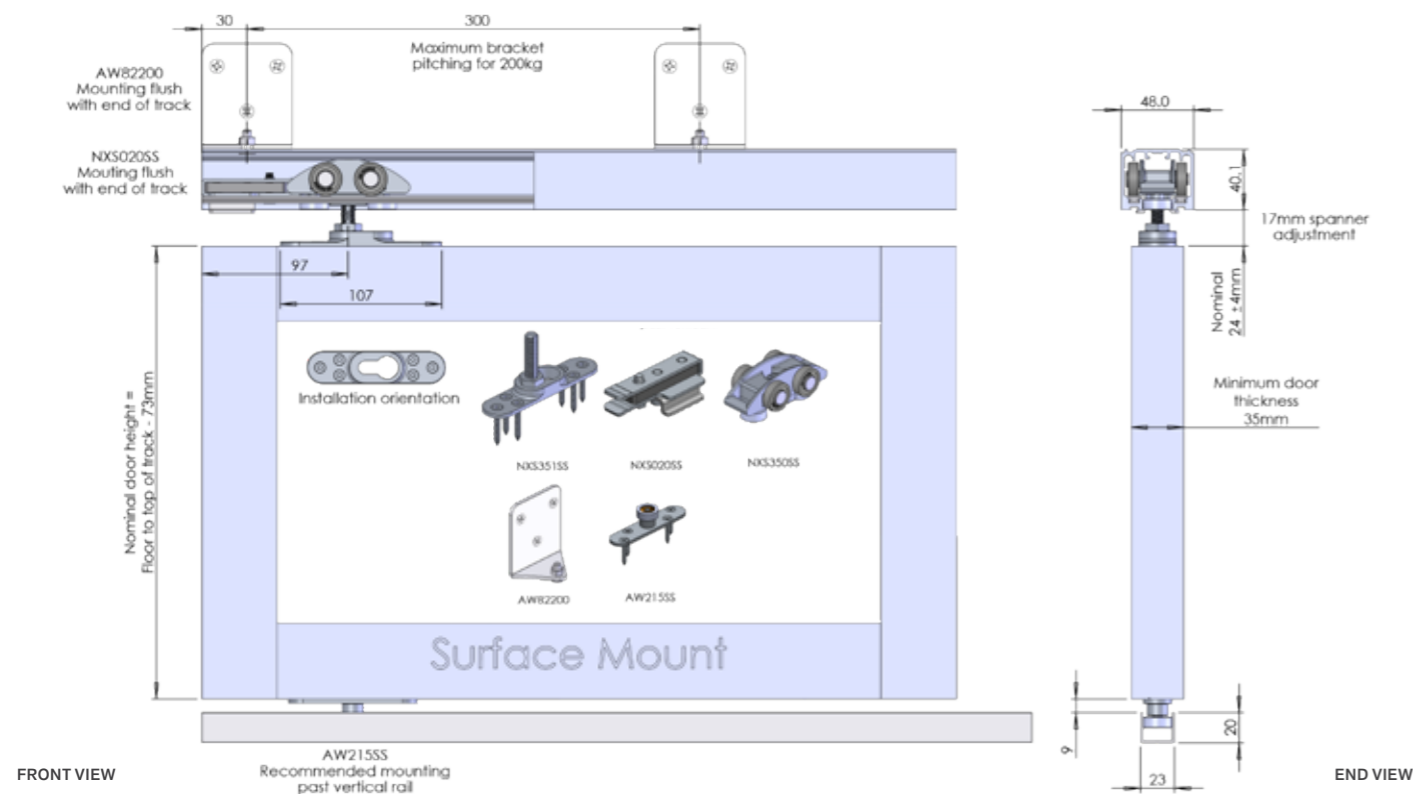
TECH SPECS

System Type	Sliding
Max. Weight Door/Panel	200kg
Door/Panel width (mm)	Up to 3000mm
Door Thickness (mm) min.	35
Track Length (mm)	6000
Suits No. of doors	1
Track Type	Hybrid - Enclosed
Track Finish	Anodised

OPTIONAL - LOW CLEARANCE CONFIGURATION



STANDARD CONFIGURATION



350kg
PER DOOR

NXS-350 SYSTEM

NXS-350 SYSTEM


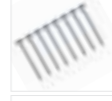

cowdroy

The highest capacity system within the NXS range. Built for large-format commercial and architectural sliding panels.

COMPONENTS

-  **NXT356CA:**
Aluminium Track 6.0m CA
-  **NXT006BK:**
Poly Track Insert 6.0m Black
-  **NXS350SS:**
SS Carriage Assembly
-  **NXS351SS:**
SS Hanger Bracket w/M10 bolt
-  **NXS020SS:**
SS Clip-Stop End Stop
-  **AW215SS:**
SS Roller Guide
-  **TT84862:**
Alum. Guide Channel 6.0m CA

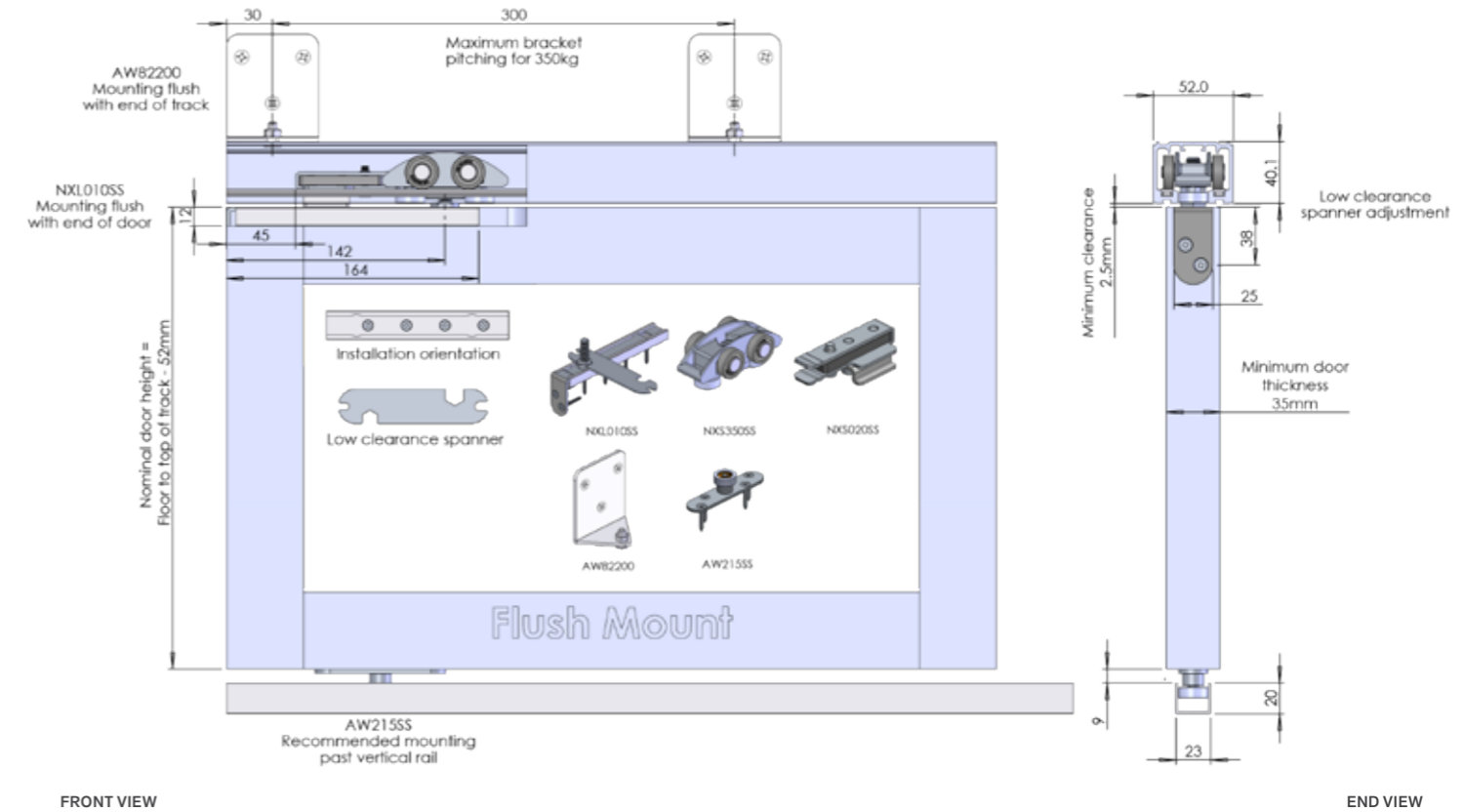
OPTIONAL EXTRAS

-  **NXLC010SS:**
SS Low Clearance Kit
-  **NX00ABSS:**
8G x 32mm Screw Pack (8)
-  **AW82200:**
Wall fixing bracket w/nut & screw

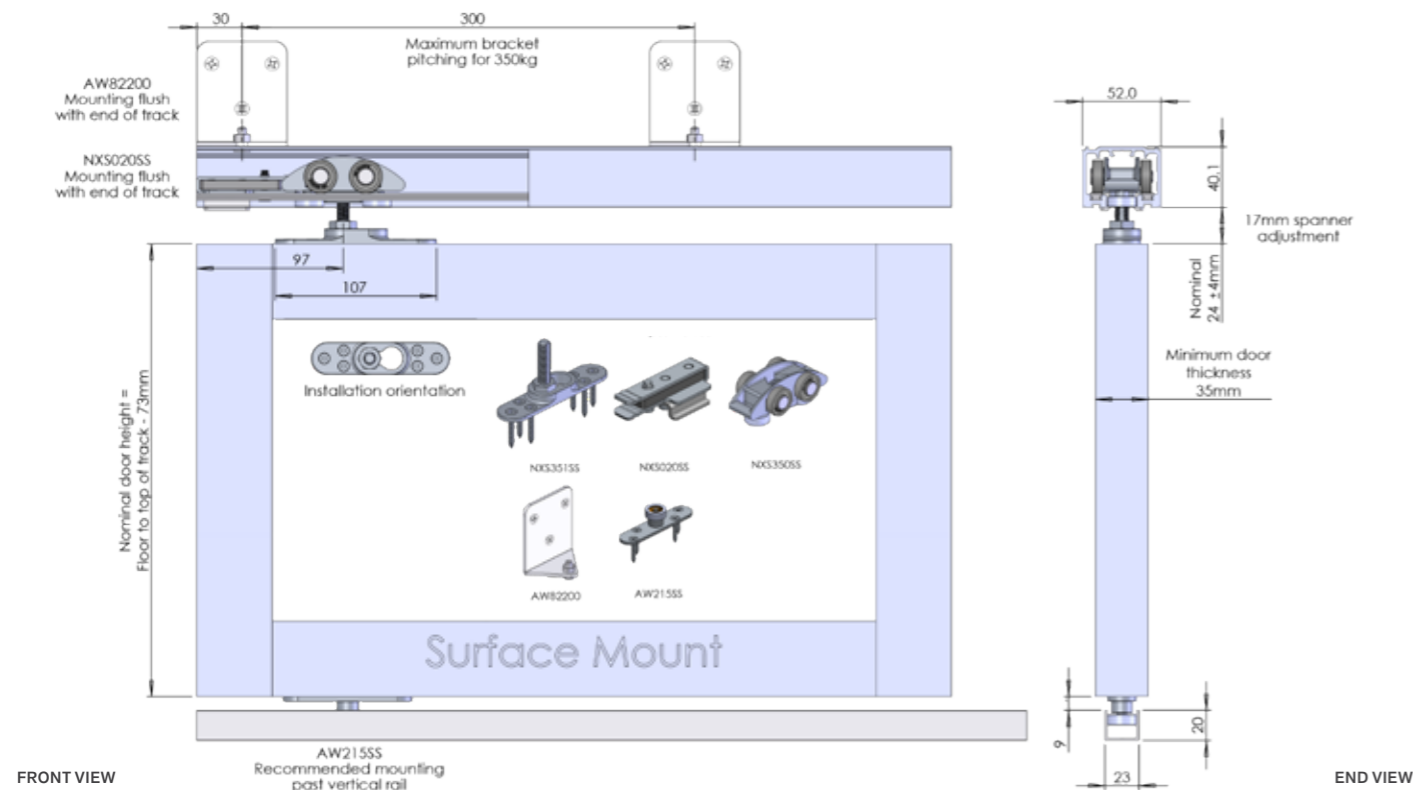
TECH SPECS

System Type	Sliding
Max. Weight Door/Panel	350kg
Door/Panel width (mm)	Up to 3000mm
Door Thickness (mm) min.	35
Track Length (mm)	6000
Suits No. of doors	1
Track Type	Hybrid - Enclosed
Track Finish	Anodised

OPTIONAL - LOW CLEARANCE CONFIGURATION



STANDARD CONFIGURATION



Cowdroy is an Australian company supplying industry leading products across residential and commercial properties.

Established in 1890, Cowdroy specialises in door tracking systems, weather seals, insect screen, replacement wheels & rollers and more products for a wide range of applications.

For all our product information visit the Cowdroy website at:
www.cowdroy.com.au

HEAD OFFICE SYDNEY

38 Redfern St
Wetherill Park, NSW 2164
Phone: (02) 9604 3000
Fax: (02) 9604 8129
Sales Fax: (02) 9609 3694

WEBSITE

www.cowdroy.com.au

EMAIL

sales@cowdroy.com.au

NATIONAL CALL

1800 COWDROY (1800 269 376)

Perth

1 Modal Crescent
Canning Vale, WA 6155
Ph: (08) 9455 5354
Fax: (08) 9455 5461

Christchurch NZ

19 Kilronan Place, Wigram,
Christchurch 8042
Phone: (03) 943 2060
Fax: (03) 943 2061

Auckland NZ

18 Kerwyn Ave, East Tamaki
Auckland 2013
Phone: (09) 274 7279
Fax: (09) 274 4453

cowdroy



NXS Sliding Range-12.05.2026

